

XFM-FA133

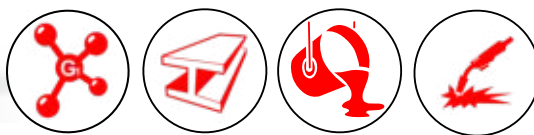
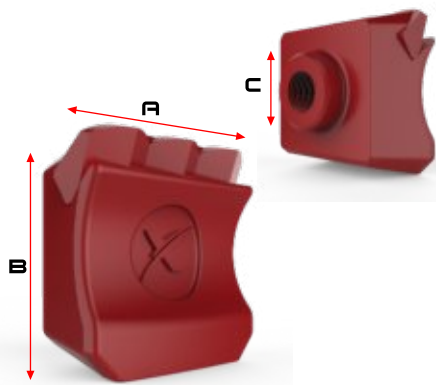
REVERSIBLE PLANER BLADE E

CUTTER TYPE	STEEL TYPE	STEEL HARDNESS	SINGLE BOLT REQUIRED	WEIGHT	A	B	C
Wood	65Mn	HRC58-62	(1) M14x1.5x30	1.19 lbs	2-3/8"	2-3/16"	15/16"

aftermarket replacement for:

FAE

blade type e part# 112800039 & 112800098



XFM-FA265

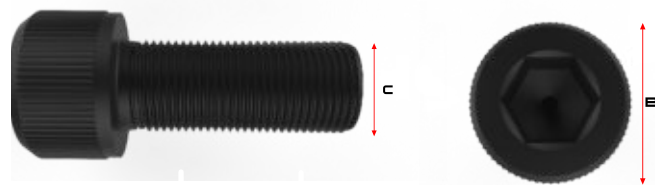
CARBIDE BLADE E/HD

CUTTER TYPE	STEEL TYPE	STEEL HARDNESS	SINGLE BOLT REQUIRED	WEIGHT	A	B	C
Wood	42CrMo	HRC40-42	(1) M14x1.5x30	1.21 lbs	2-1/8"	2-1/4"	15/16"

aftermarket replacement for:

FAE

blade type e/hd part# 112800081



SOCKET BOLTS

PART NUMBER	THREAD SIZE	MATERIAL TYPE	GRADE	HEAD TYPE	DRIVE SIZE	A	B	C	FIT
M14x1.5x30 SKT	M14X1.5	Black Oxide Alloy Steel	12.9	Socket	12mm	30mm	21mm	14mm	HM215C

BEVELLED WASHER

PART NUMBER	MATERIAL TYPE	MATERIAL HARDNESS	SERRATED	A	B	C	FITS BOLTS
M14W	Black Oxide Alloy Steel	C40	TOP & BOTTOM	OD	ID	THICKNESS	M14

