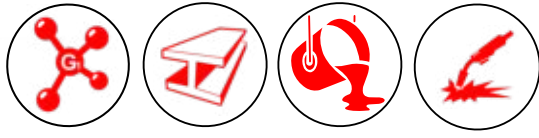
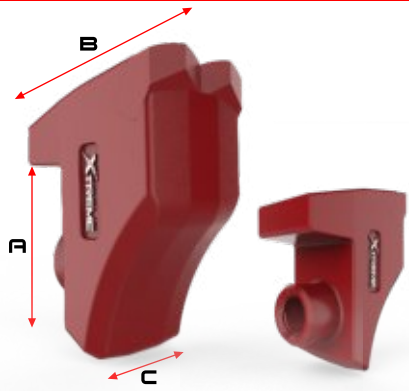


XFM-LA143

aftermarket replacement for:
LAMTRAC
 fit models - LTR 9610Q & LTR 6140T

					A	B	C
CUTTER TYPE	STEEL TYPE	STEEL HARDNESS	SINGLE BOLT REQUIRED	WEIGHT	LENGTH	LENGTH	LENGTH
Wood	42CrMo	HRC40-42	1"-14	2.56 lbs	2-1/4"	2-3/8"	2-1/4"

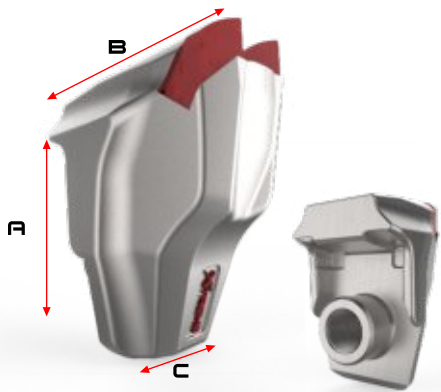


aftermarket replacement for:
LAMTRAC
fit models - FAE Type C 1 Screw
Heads

XFM-FA113
DUAL WOOD CARBIDE - 1 BOLT

CUTTER TYPE	STEEL TYPE	STEEL HARDNESS	SINGLE BOLT REQUIRED	WEIGHT
Wood	42CrMo	HRC40-42	(1) M20x1.5x60 SKT	3.39 lbs

A	B	C
LENGTH	WIDTH	WIDTH
2-3/8"	2-7/8"	1-7/8"

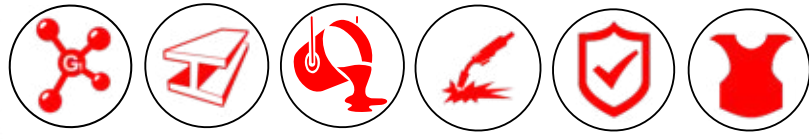
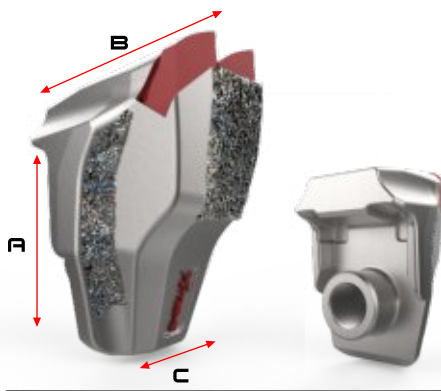


aftermarket replacement for:
LAMTRAC
fit models - FAE Type C 1 Screw
Heads

XFM-FA114
DUAL WOOD CARBIDE W/SIDE PROTECTION

CUTTER TYPE	STEEL TYPE	STEEL HARDNESS	SINGLE BOLT REQUIRED	WEIGHT
Wood	42CrMo	HRC40-42	(1) M20x1.5x60 SKT	3.36 lbs

A	B	C
LENGTH	WIDTH	WIDTH
2-3/8"	2-7/8"	1-7/8"

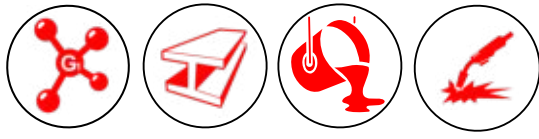
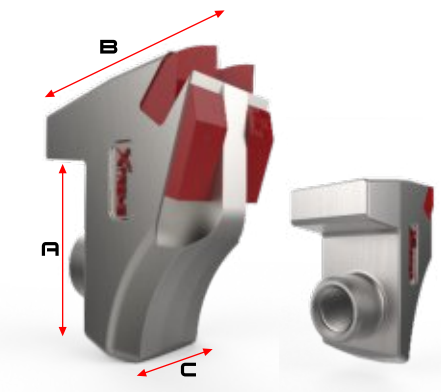


aftermarket replacement for:
LAMTRAC
fit models - FAE Type C 1 Screw
Heads

XFM-FA221-HF
DUAL WOOD CARBIDE W/HARDFACING W/SIDE PROTECTION

CUTTER TYPE	STEEL TYPE	STEEL HARDNESS	SINGLE BOLT REQUIRED	WEIGHT
Wood	42CrMo	HRC40-42	(1) M20x1.5x60 SKT	3.63 lbs

A	B	C
LENGTH	WIDTH	WIDTH
2-3/8"	2-7/8"	1-7/8"

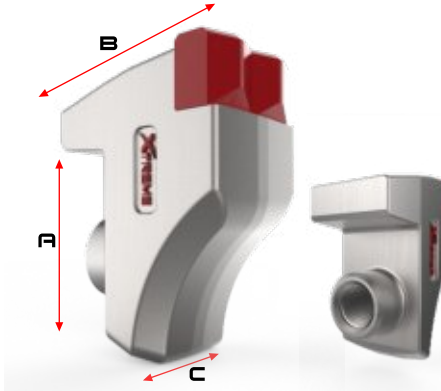


aftermarket replacement for:
LAMTRAC
fit models - FAE Type C 1 Screw
Heads

XFM-FA115
DUAL WOOD CARBIDE W/CARBIDE FACE PROTECTION

CUTTER TYPE	STEEL TYPE	STEEL HARDNESS	SINGLE BOLT REQUIRED	WEIGHT
Wood	42CrMo	HRC40-42	(1) M20x1.5x60 SKT	3.41 lbs

A	B	C
LENGTH	WIDTH	WIDTH
2-3/8"	2-7/8"	1-7/8"

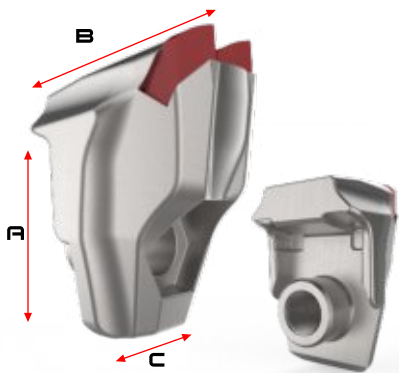


aftermarket replacement for:
LAMTRAC
fit models - FAE Type C 1 Screw
Heads

XFM-FA116
ROCK CRUSHER CARBIDE

CUTTER TYPE	STEEL TYPE	STEEL HARDNESS	SINGLE BOLT REQUIRED	WEIGHT
Rock	42CrMo	HRC40-42	(1) M20x1.5x60 SKT	3.42 lbs

A	B	C
LENGTH	WIDTH	WIDTH
2-3/8"	2-7/8"	1-7/8"



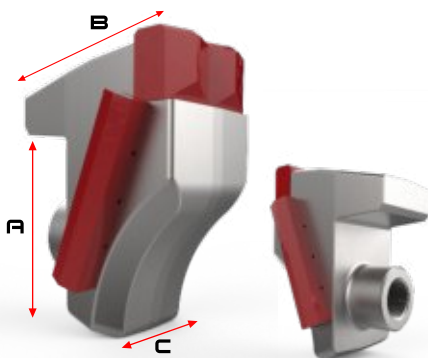
aftermarket replacement for:
LAMTRAC
fit models - FAE Type C 1 Screw
Heads

XFM-FA174

DUAL WOOD CARBIDE W/THRU-BOLT & NUT W/SIDE PROTECTION

CUTTER TYPE	STEEL TYPE	STEEL HARDNESS	SINGLE BOLT REQUIRED	WEIGHT
Wood	42CrMo	HRC40-42	(1) M20x1.5x80 SKT (1) M20x1.5 NUT	3.31 lbs

A	B	C
LENGTH	WIDTH	WIDTH
2-3/8"	2-7/8"	1-7/8"



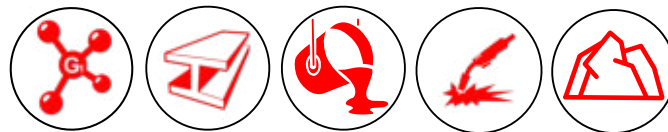
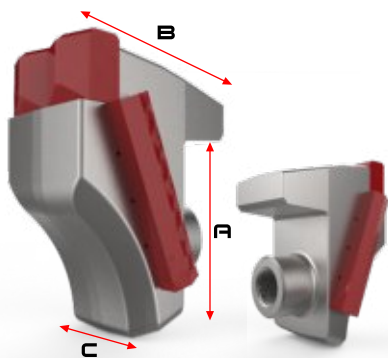
aftermarket replacement for:
LAMTRAC
fit models - FAE Type C 1 Screw
Heads

XFM-FA157-SL

LEFT SIDE SCRAPER

CUTTER TYPE	STEEL TYPE	STEEL HARDNESS	SINGLE BOLT REQUIRED	WEIGHT
Rock	42CrMo	HRC40-42	M20x1.5x60	3.55 lbs

A	B	C
LENGTH	WIDTH	WIDTH
2-3/8"	2-7/8"	1-7/8"



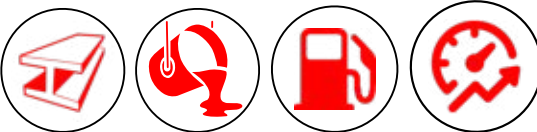
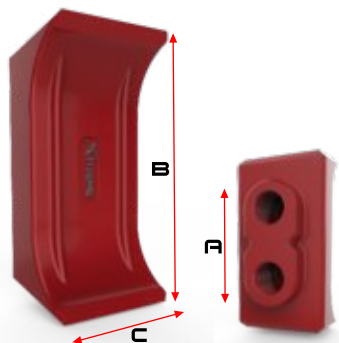
aftermarket replacement for:
LAMTRAC
fit models - FAE Type C 1 Screw
Heads

XFM-FA214-SR

RIGHT SIDE SCRAPER

CUTTER TYPE	STEEL TYPE	STEEL HARDNESS	SINGLE BOLT REQUIRED	WEIGHT
Rock	42CrMo	HRC40-42	M20x1.5x60	3.55 lbs

A	B	C
LENGTH	WIDTH	WIDTH
2-3/8"	2-7/8"	1-7/8"



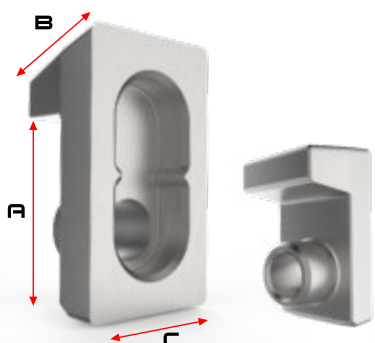
aftermarket replacement for:
LAMTRAC
fit models - FAE Type C 1 Screw
Heads

XFM-FA117-PL

REVERSIBLE PLANER KNIFE

CUTTER TYPE	STEEL TYPE	STEEL HARDNESS	SINGLE BOLT REQUIRED	WEIGHT
Wood G1	65Mn	HRC58-62	(1) 3/4-16 x 3" SKT	2.17 lbs

A	B	C
LENGTH	WIDTH	WIDTH
2-1/2"	4-1/8"	2"



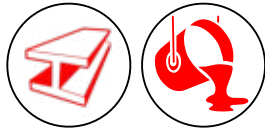
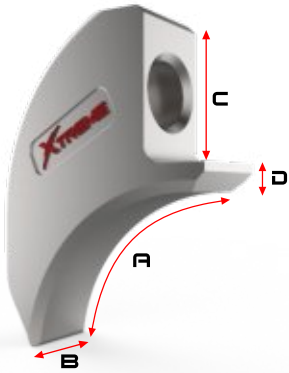
aftermarket replacement for:
LAMTRAC
fit models - FAE Type C 1 Screw
Heads

XFM-FA213-A

PLANER KNIFE HOLDER FOR XFM-FA117-PL

HOLDER FOR	STEEL TYPE	STEEL HARDNESS	SINGLE BOLT REQUIRED	WEIGHT
XFM-FA117-PL	42CrMo	HRC40-42	(1) 3/4-16 x 3" SKT	1.34 lbs

A	B	C
LENGTH	WIDTH	WIDTH
2-1/2"	1-5/8"	1-7/8"

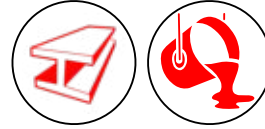
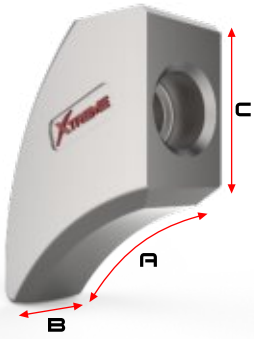


aftermarket replacement for:
LAMTRAC
fit models - FAE Type C 1 Screw
Heads

XFM-FAT18-H

TOOTH HOLDER FIT 7-1/2" DIA DRUM

STEEL TYPE	STEEL HARDNESS	BOLT REQUIRED	WEIGHT	A	B	C	D
42CrMo	HRC40-42	(1) M20x1.5x60 SKT	6.71 lbs	6"	1-3/4"	2-13/16"	1/2"

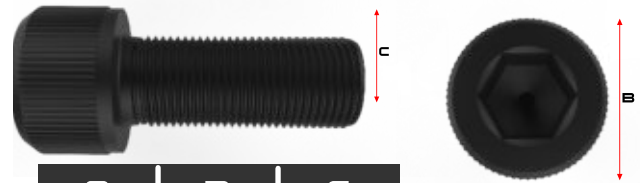


aftermarket replacement for:
LAMTRAC
fit models - FAE Type C 1 Screw
Heads

XFM-FAT19-H

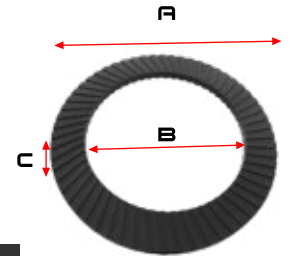
TOOTH HOLDER FIT 12" DIA DRUM

STEEL TYPE	STEEL HARDNESS	BOLT REQUIRED	WEIGHT	A	B	C
42CrMo	HRC40-42	(1) M20x1.5x60 SKT	5.40 lbs	4-1/2"	1-3/4"	3"



SOCKET BOLTS

PART NUMBER	THREAD SIZE	MATERIAL TYPE	GRADE	HEAD TYPE	DRIVE SIZE	A	B	C	FIT
						LENGTH	DIA	DIA	
M20x1.5x60 SKT	M20X1.5	Black Oxide Alloy Steel	12.9	Socket	17mm	60mm	30mm	30mm	All HM315B, HM415B Carbide Teeth
3/4-16x3" SKT	3/4-16"	Black Oxide Alloy Steel	8	Socket	5/8"	3"	1-1/8"	3/4"	XFM-FA117-PL



BEVELLED WASHER

PART NUMBER	MATERIAL TYPE	MATERIAL HARDNESS	SERRATED	A	B	C	FITS BOLTS
				OD	ID	THICKNESS	
M20W	Black Oxide Alloy Steel	C40	TOP & BOTTOM	29.85mm	20.85mm	1.86mm	M20 & 3/4"

IMPACT RACHET ADAPTER

PART NUMBER	MALE SOCKET SIZE	DRIVE SIZE	FITS BOLT SIZE
IMPACT-5/8	5/8"	3/4"	3/4-16" SKT
IMPACT-17	17mm	3/4"	M20x1.5 SKT

