

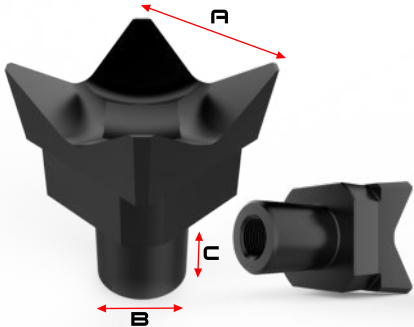
### XFM-T0281

CUTTER TYPE	STEEL TYPE	STEEL HARDNESS	BOLT REQUIRED	WEIGHT
Wood	65Mn	HRC58-62	1/2"-20	0.90 lbs

A	B	C
DIA	DIA	LENGTH
1-7/8"	15/16"	1-1/16"

aftermarket replacement for:  
**TORRENT**

fits models: EX24DE, EX28RPM, EX30DE, EX30HDD, EX30RPM, EX40D, EX48, EX48D  
replaces part# 4026000 / HT30264



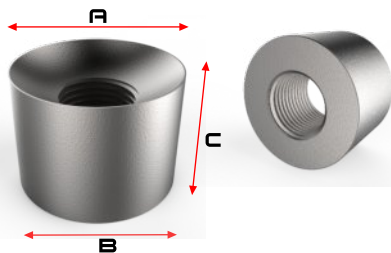
### XFM-T0241

CUTTER TYPE	STEEL TYPE	STEEL HARDNESS	BOLT REQUIRED	WEIGHT
Wood	65Mn	HRC58-62	1/2"-20	0.80 lbs

A	B	C
LENGTH	DIA	LENGTH
1-11/16"	15/16"	1-1/16"

aftermarket replacement for:  
**TORRENT**

fits models: EX24DE, EX28RPM, EX30DE, EX30HDD, EX30RPM, EX40D, EX48, EX48D  
replaces part# Q10761T



### XFM-T0303

CUTTER TYPE	STEEL TYPE	STEEL HARDNESS	BOLT REQUIRED	WEIGHT
Wood	42CrMo	HRC50-55	5/8"-18	0.20 lbs

A	B	C
LENGTH	DIA	LENGTH
1-3/16"	1-3/16"	7/8"

aftermarket replacement for:  
**TORRENT**

fits models: 28" Shark, 30" Shark